



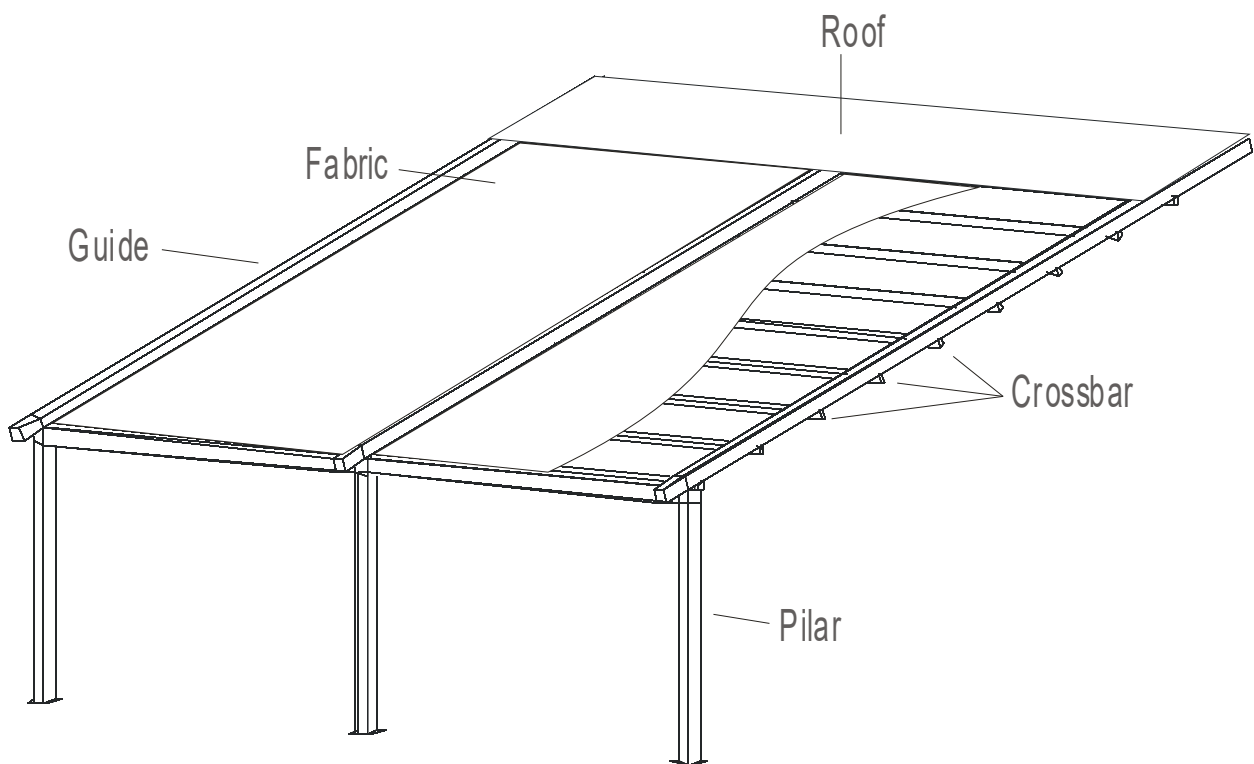
CAUTION!

These instructions must be read and understood before installation, adjustment, service or maintenance.

Operations and Maintenance,
Instructions of shipment, unpacking and installation.

Pergola PRO awning

- **General scheme of the awning**



- **Steering:**

- [] Manual,
- [] E-drive,

- **Data of electric drive:**

Power W, Voltage 230V;
Frequency 50Hz;

- **Data from the additional drive/lighting:**

Power W, Voltage 230V;
Frequency 50Hz;

- YOC:

- Serial Number:

CE
.....
EN 13561 External blinds Class of wind resistance:

- **Content**

1. Introduction
2. Instructions for use and maintenance
3. Transportation, unpacking and installation instructions

1. Introduction

- These installation instructions are an integral part of the awning and was written for the professionals of the installation company and for the end users.
- An additional instruction for the electric products will be attached to this manual and should be treated as an integral part of this instruction.
- Add, remove, or change the content of this manual not permitted.
- The installation instructions must be kept and be easily accessible by the whole use time of the awning.
- Please read the installation instructions, and the other instructions that are attached to the product before unpack, installation and use of the product.
- This document has been prepared according to requirements of the standard PN-EN 13561:2004+A1.
- Explanation of symbols used in this manual:

**Important Safety Information!**

Notes and general remarks on the safety use. Improper use of awnings can have a negative impact on the awning structure and a loss of their properties and thus lead to the deterioration of security.

**CAUTION!**

The warning triangle shows the important tasks in the operation, maintenance, etc. Failure to comply with the recommendations may result to the accident.

Important Safety Information

**CAUTION!**

For the safety of people, it is important to read this instructions before the Installation and followed. The installation instructions must be stored and must be passed by eventual resale of the awning to the new owner. In case of loss or damage to the installation instructions you should immediately contact the dealer for a copy.

**Note**

- By working at height should be applied appropriate security measures to protect against accidents.
- Ladders or scaffolding must be set on a stable surface.
- You should have appropriate qualifications to work at height.

2. Use and Maintenance instruction

2.1. General

**CAUTION!**

For the reasons of safety, installation, maintenance and use of awnings, please follow the following guidelines.

- The installation of the awning should be done by an authorized dealer.
- Modifying the construction of the awning are not allowed.
- It is not be allowed to under awning be during maintenance or installation work.
- Follow rules and instructions on health and safety during installation and maintenance.
- Handle uncouple after use.
- Do not use an awning near an open flame.
- Do not overload an awning construction.
- Roll up the awning in bad weather such as frost and snow.

2.2. The right use

Awning is designed to protect against sunlight. The System allows the user to unroll or roll up her as necessary.

- For a manual control, the system based on a crank and gearbox.
- By turning the handle in both directions, an awning can be roll up or unroll.
- For the Electric drive the system is made of an electric motor and a control switch (it can a wall switch, remote control, and/or weather automatic be).

The Awning is not designed for the other purposes (like snow protection)

2.3. Information regarding products with electrical supply

**CAUTION!**

Do not leave children alone with the device that controls the awning. Keep the remote control away from children.

If the awning is equipped with an electric motor or lighting, the manual provides:

- An electric circuit diagram that can be used during the installation, together with assembly instructions.
- Certification of electrical components delivered for the awning.

**CAUTION!**

One should check the electrical wiring two times a year for signs of wear or damage to the cable. Do not use if they need to be repaired.

- Always switch off the power supply before making any maintenance work.
- Switch should be placed in such a place where we can see the awning position in any movement.
- Switch should be located away from moving parts.
- Switch should be installed at a height according to the regulation for the disabled persons (generally less than 1,30 m).
- If manual drive is possible, it should be installed at a height of less than 1,80 m.
- Keep the electrical switch away from children.
- If the switches are located on the outside, it should have IP55 protection class or higher.

In an area with high wind intensity that is exposed to a frequent power cuts, we recommend to use an alternative energy source, or to use a handle.

When it comes to awnings that can be to switch on out of the sight, the user should take the appropriate organizational measures so as to prevent unintentional switching of the awning during maintenance or repair work, eg window cleaning or wall cleaning.

**Note**

The fabric during the operation, at the different temperature and humidity, can easily change of its size. It may necessary be limit switch to set again. This is a service action and is not the basis for the complaint.

To carry out inspections or maintenance, an awning must be safely disconnected from the mains electricity.

It is not allowed to make changes to the configuration of the electrical equipment.

An awning noise does not exceed 70 dB.

2.4. Maintenance of awning

2.4.1. Scheduled maintenance of the fabric

Turn off the power supply.

Cleaning of the fabric depends on the type of fabric, it is recommended to use the vacuum cleaner, wet sponges or cleaning agent recommended by the manufacturer. To clean the awning safely, should not use ladders or scaffolding. If necessary, use a garden hose or tools with handles (vacuum cleaners, sponges with handles, etc). Before the awning will be roll up, wait until it is completely dry. A visual assessment of fabric at least twice a year. For further information see the manufacturer description of the awning.

**CAUTION!**

Do not use solvents, ammonia, or any other chemicals.

2.4.2. Scheduled maintenance of the awnings frame

Scheduled maintenance consists of the following steps:

- Check regularly that all screws and bolts are properly tightened.
- Check regularly whether wall brackets are holding correct.
- Moving parts lubricate with silicone grease.
- Regularly check electrical cords.
- Regularly check that awning is not polluted by leaves, snow or dirt.

2.4.3. Unscheduled maintenance of the awnings frame

Unscheduled works may only be performed by qualified personnel (eg replacement of parts or fabric, maintenance of the tensioning systemetc), if it necessary.

2.5. Disassembly and disposal

Disassembly of the awning must be performed by qualified personnel. Awning contains no hazardous components. Turn to recycling company to reduce the negative influence of waste over the natural environment.

2.6. Important notes and warnings

**CAUTION!**

Roll up the awning in bad weather such as frost and snow.

**CAUTION!**

If the awning will be used during the frost it can be damaged.

**Note**

Possible buckling of the fabric. In the vicinity of the seams and the edges of the sheathing can form folds and wrinkles - it is natural.

**CAUTION!**

In case of fault you should refrain from further usage and immediately contact the installation company.

**Note**

Stainless steel parts in the event of exposure to external conditions can corrode in a limited way.

**Note**

The sheathing may have slightly different color (if coming from different production types)

**CAUTION!**

- It is not allowed to hang, hook or put anything on the awning.
- It is not allowed to hang or placed something on the awning.
- Adjustment and repair of awnings by unauthorized persons are not allowed.

**CAUTION!**

Installation of awnings with electric drive in hazardous environments or where very large quantities of flammable substances in the air is not allowed.

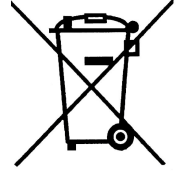
**Note**

Fabric is narrower than the total width of the awnings frame; depending on the type of drive, from 4 cm to 16 cm.

**Note**

Fine droplets appear under the fabric dose not constitute grounds for complaint.

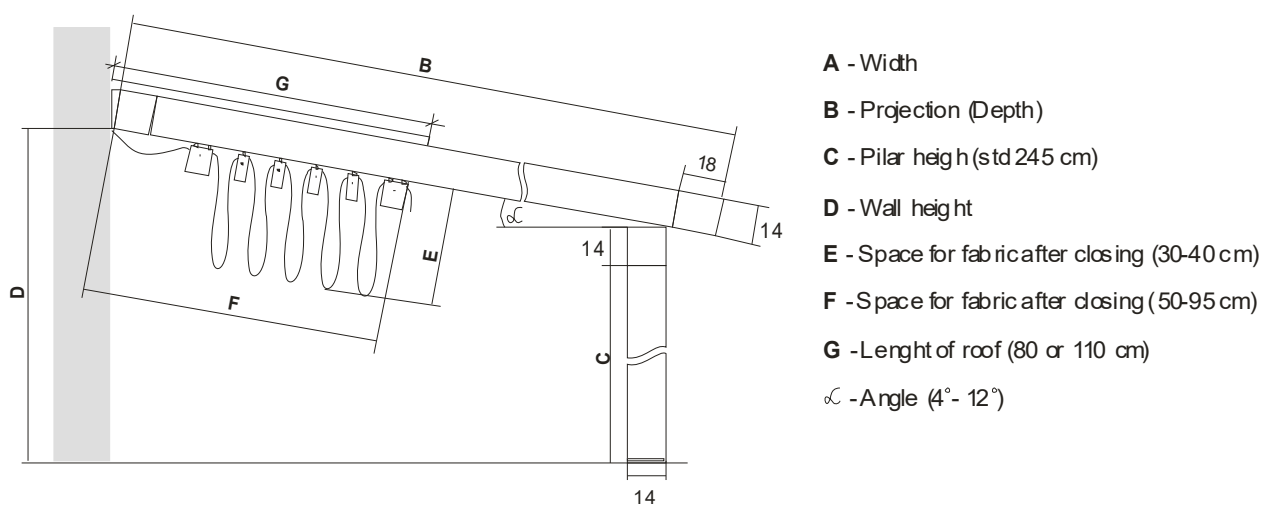
Do not dispose of electrical components in the trash. It must be delivered to the point of disposal of electrical equipment.



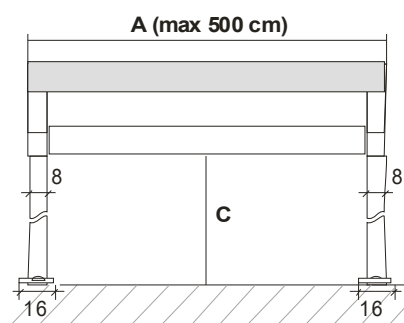
3. Instructions of shipment, unpacking and installation

3.1. Delivery

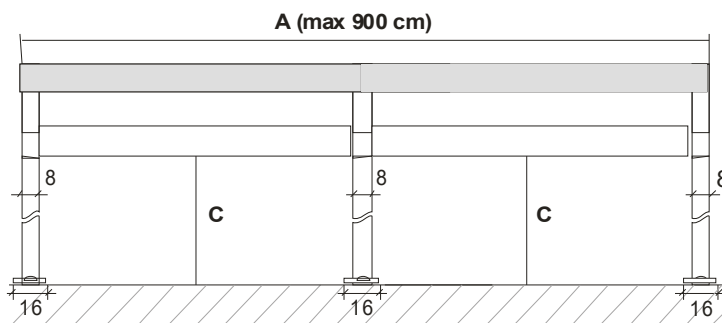
- 1x Pergola awning Type: Pergola PRO,
- Brackets: wall/ceiling brackets 2 or 3 pcs. Ground brackets together with pilars 2 or 3 pcs,
- 1x Service Manual,
- 1x Operating and Maintenance Instructions, Warranty,
- 1x E-Connections and settings (for motor drive),
- 1x User manual for Weather Automatic (only for Awnings with Sun-Wind Automatic),
- 1x Remote Control (only for remote controlled Awnings),
- 1x Handle (only for Awnings with manual drive),
- 1x Test run or programming cable (only by special order),
- 1x Handing over protocol/Warranty.



2 profiles



3 profiles



3.2. General remarks



Note

The awning is supplied without mounting material. The components of the awning meet the applicable rules and technology. Changes in the design are allowed only with permission of DRAGON, Korgul, Prochowski Sp. J. Changes in the design of the awning without the written consent of the manufacturer could void the warranty.



Note

Installation of awning, adjustment and checking of proper operation can be performed only by trained installation teams. Installation team is responsible for correct installation (with the appropriate anchors for the basis) readjustment and test run of the awning.

3.3. Service, shipment, unpacking and storage

The awning is so packed that it can be delivered without damage. During loading and unloading of the awning be sure it was not placed on an uneven surface. Upon unpacking the product you keep a special care not to damage the fabric.

If the awning will be stored for a long time, before installing we recommend:

- Store the awning in the shade.
- Protect the awning from moisture and high temperature difference.
- Protect an awning from shock or overload.

3.4. Installation of the awnings frame

The installation must be in accordance with the requirements of safety, particular in health and safety regulations. Use scaffolding or ladders that are in good condition. If the awning is not installed on the ground floor but on the upper floors, it is recommended to mark up and protect the area below. Do not make changes in the structure of the awning.

This manual assumes that the awning will be installed to properly prepared substrates and walls made of concrete class C20/25. In the event of an uncured floor screeds it is recommended to make the feet of the Pergola. Foundation with dimension of 0.5 m x 0.5 m x 1.0 m (depth) to be made of concrete C20/25 .

3.5. Qualifications of the installation team

- Observe safety rules.
- Ability to use of ladders and scaffolds.
- Ensure transport and storage of the awning.
- Experience in the use of tools and equipment.
- Appropriate certificate of approval and use for fixing materials in construction.
- Installation training at Dragon company (recommended).
- Training the end user before using the awning.
- Pass manuals and warranty on the end-user (Handing over protocol/Warranty).

3.6. Fastening and pulling on the ropes

If you need to pull the awning in a higher level with the aid of ropes must one:

- Take out from the packaging.
- Transport ropes must be fastened so that the awning can not slip out.
- Uniform load distribution (in horizontal position) during the pulling out.

3.7. Required tools

- Ladders/Scaffold,
- Level,
- Ropes,
- Measuring tape,
- Impact drill and drill bit (depending on the substrate),
- Imbus (4mm, 5mm, 6mm),
- Wrench/ringspanner (SW13),
- Screwdriver and cross screwdriver PZ 1-3

3.8. Installation steps

- 3.8.1. Check the delivery.
- 3.8.2. Mark and fix the mounting brackets.
- 3.8.3. Laying electric cables (if motor drive was ordered).
- 3.8.4. Fix the pergola awning frame.
- 3.8.5. Screw the crossbars to the trolleys; check operation of awning.
- 3.8.6. Water blockade and gutter system.
- 3.8.7. Perform electrical installation (only for Motor drive).
- 3.8.8. Set the end positions of the motor.
- 3.8.9. Couple of handle (only manual drive).
- 3.8.10. Check the awning after instalation.
- 3.8.11. Training and instruction of the end user before awning in use.
- 3.8.12. Handing over all the necessary instructions and warranty the end user and pass the awning for use.

3.8.1. Check Delivery

Before beginning the installation should be checked:

- Check that the information given in the order of: awnings, color and pattern on the fabric, frame color, type of drive (handle/motor), drive side and the other product features are consistent with the delivery.
- Number and accuracy of the delivered parts.

3.8.2. Mark and fix the mounting brackets



CAUTION!

In order to avoid the risks associated with moving parts of the awnings, device must be installed at such a height that the lowest moving part will be at least 220 cm from the ground.

In order to avoid the risks associated with moving parts should be mounted awnings awning at such a height that the development of the lowest moving part was at least 220 cm from the ground. If you use the gutter system and electric drive mounting height must be at least 250 cm (245 cm pilar), you can use the optional drive detection of obstacles.

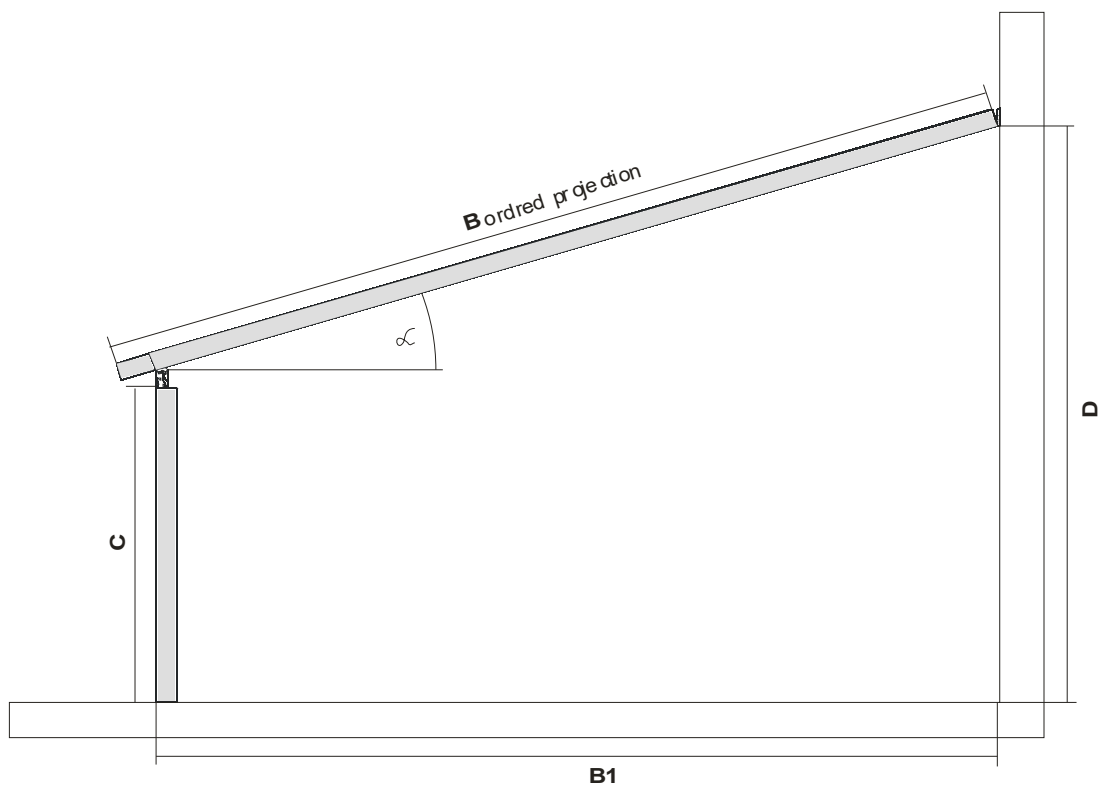
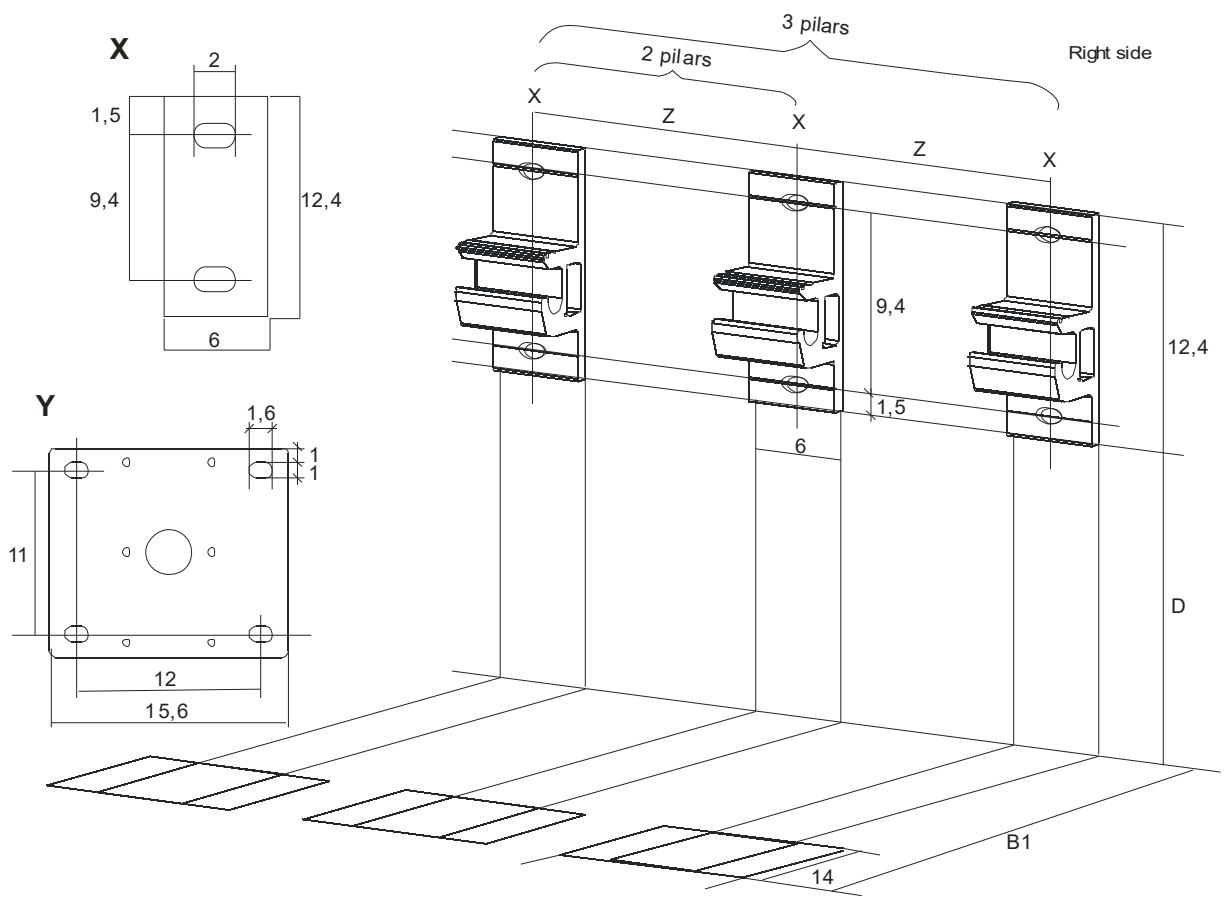
Awning is supplied with brackets for installation in wall, ceiling or roof rafters - in accordance with the contract.

The awning meets the wind class rating when the manufacturer's recommended number and type of the mounting brackets were mounted with the correct mounting anchors. Before starting installation make sure that the mounting surface is suitable for the mounting – if were found the deviations of the surface strength, then order more mounting brackets - (number of mounting brackets ,in standard, for Wall mounting Concrete C20/25).

- Mark the position of the brackets and then drill.
- Mounting brackets mounted by suitable fasteners. For the base of the concrete C20/25 use of anchors with a minimum Tension strength of 70 N on the surface of 1 m².
- Align the mounting brackets (A) to axes and planes.
- Uncheck the location of the wall bracket X and Y on the ground and then drill the holes
- Mounting brackets mounted by suitable fasteners.
- X mounting brackets must be screwed to the wall equating the axes and planes (see figure).
- Y columns handles are supplied together with the columns , they should be screwed in a designated predetermined location and level (see figure).
- Overhang on the floor B1 is determined from the following formula:

$$*\sqrt{[(B - 22)^2 - (D - C - 14)^2]}$$

*(the square root)



B1 – projection on the floor

C – pilar high

**Note**

When selecting the mounting means that the maximum load on the awning is 132 N/m². In addition, you will be taken into account the weight of the awning, which is ca. 7 kg/m².

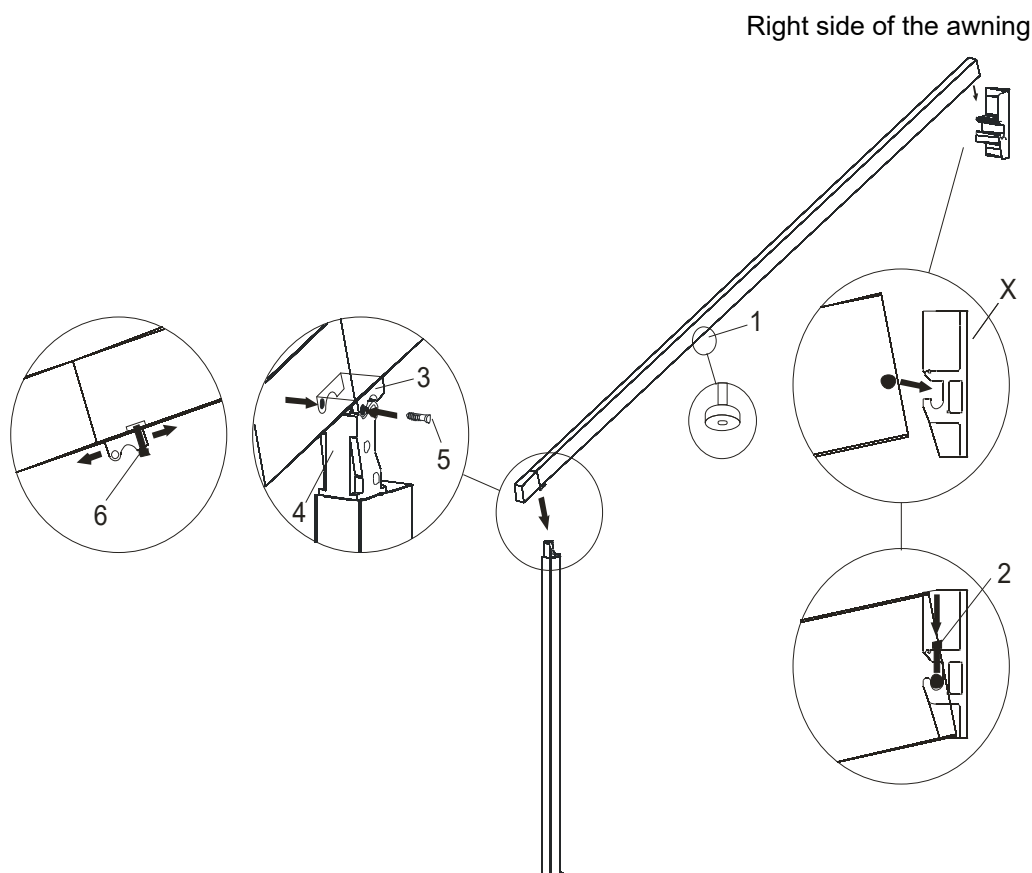
3.8.3. Laying electric cables (if motor drive was ordered)

- Drill out grommet for electrical conduit. Power to the motor drive should be prepared in accordance with the relevant provisions.

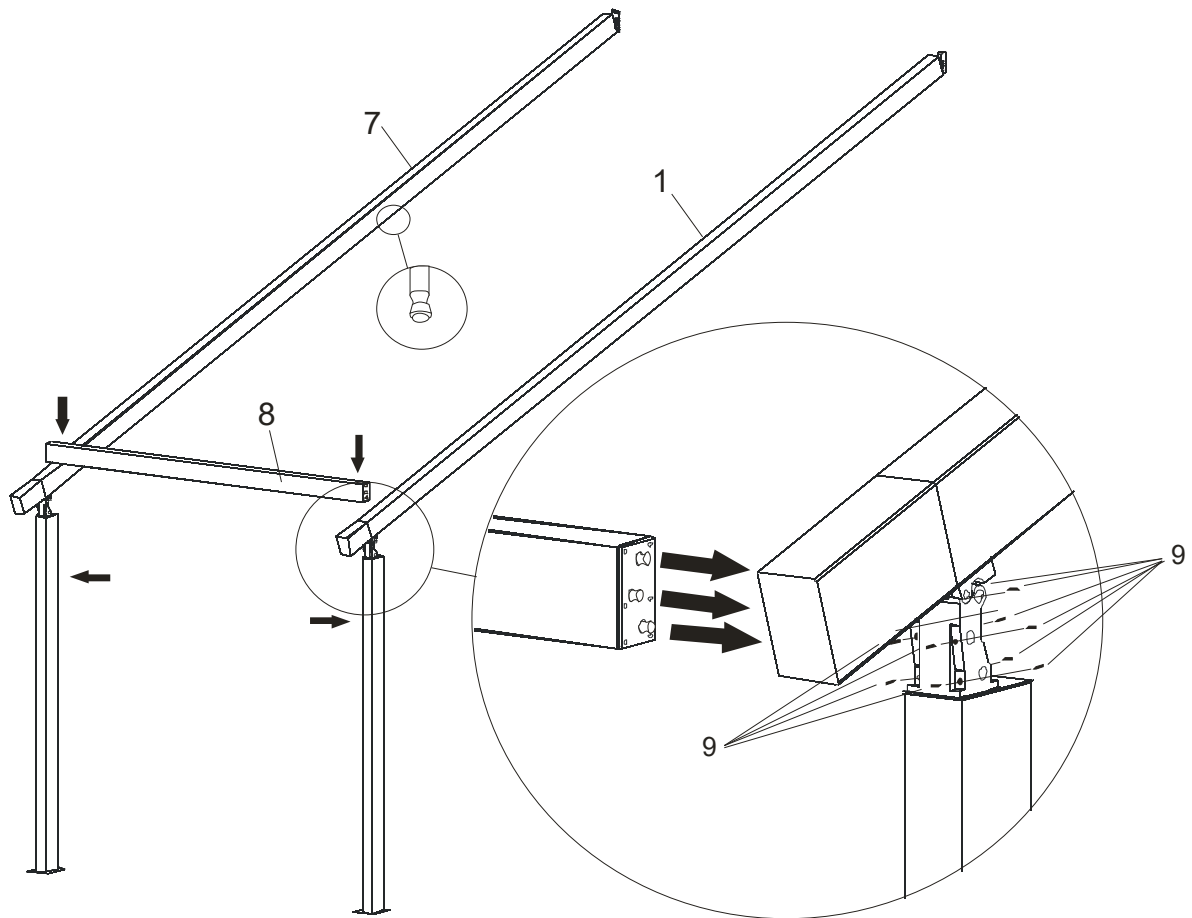
3.8.4. Fix the pergola awning frame**Note**

The main task of the pergola awning PRO is the protection from sunlight. There is also the possibility of extra protection from the rain. The effectiveness of the removal of water depends on the awning fabric, inclination angle of the pergola and used accessories like gutter system and water blockade on sides.

- Attach the right pillar to the prepared substrate.
- Place the right guide (1) from the wall in the mounting bracket and lock screw (2)
- Embed guide holder (3) on the head of the column (4) and secure with screws (5).
- Possible slight readjustment of the guide bracket (3) can be made loosening slightly screw (6) and after adjustment tighten again.



- The same way like for right guide install next (left) guide (7). This operation is performed together with the rear face of the beam (8) in the sockets of the head (4).
- This action consists in inserting and studs mounted on the front ends of the beam (8) socket head (4) and secure the Allen screws (9) located in the head (4).



- In the case of two modules pergolas (3 posts) act as a one-module for pergolas .
- The next step is to put electric propulsion with electric drive. If you order an electric drive or gearbox attachment with the transfer of the drive.

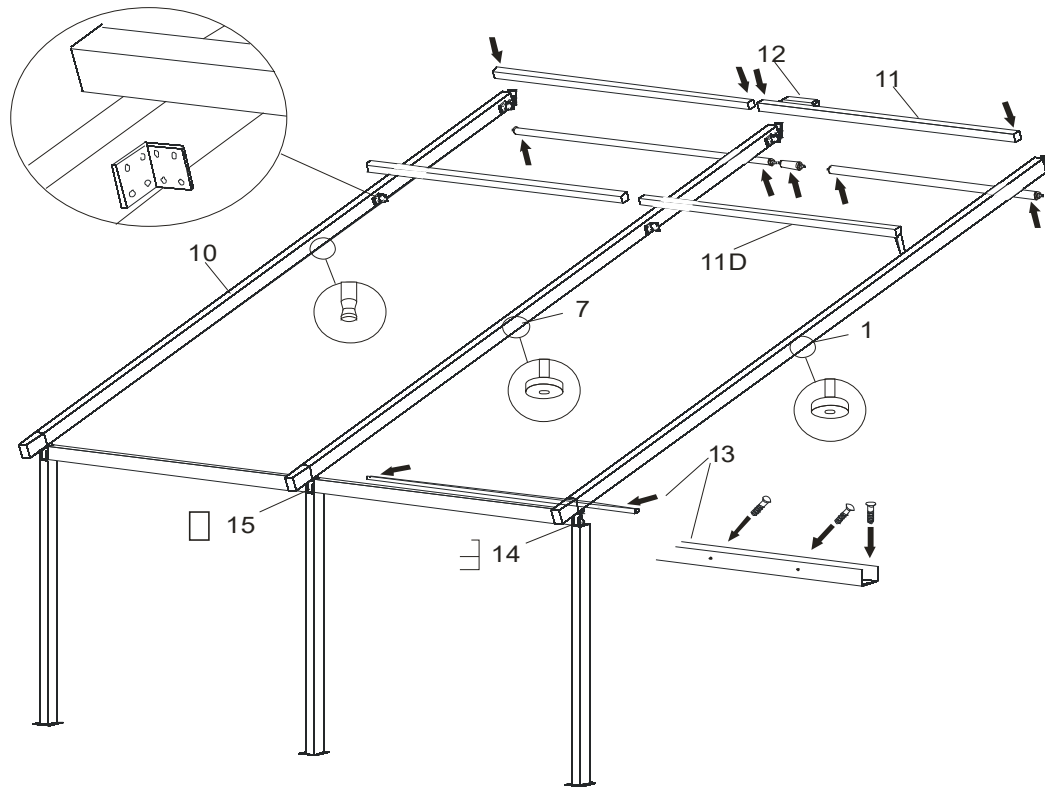
The case of the electric drive.

Fix supporting profile of electric drive (11) with the drive (power box 12) to guide (1, 7). Connect roller tubes and electric drive sockets located in guides.

The case of the manual drive.

Screw gears and roller tubes connect the drive socket located in guides.

- Attach the gutter (13) as shown on drawing.
- Fix the covers (14, 15).



- Install roof. To do this, install in peak profiles 11 D in places as shown on the drawing. Visor shaped sheet screwed "overlap" the special screws (farm) to profiles 11 and 11D .

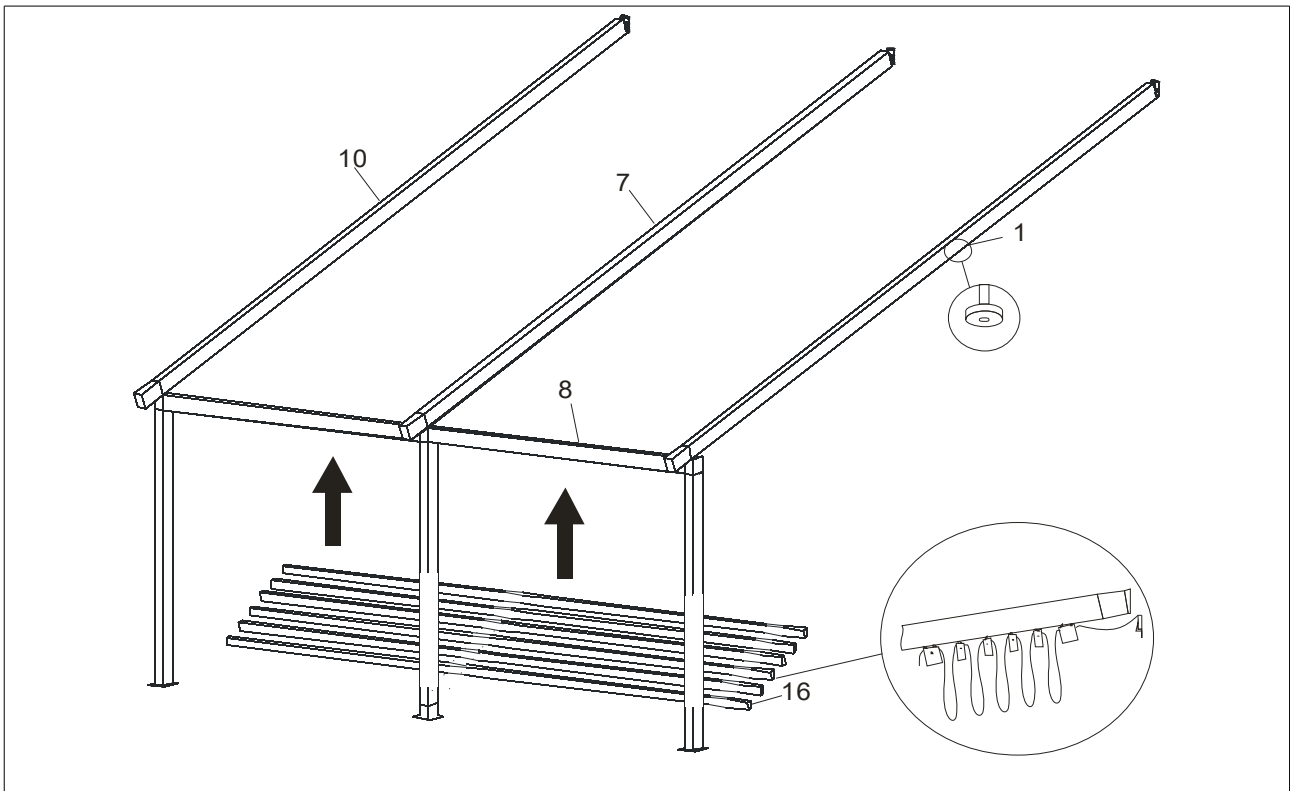
3.8.5. Screw the crossbars to the trolleys; check operation of awning



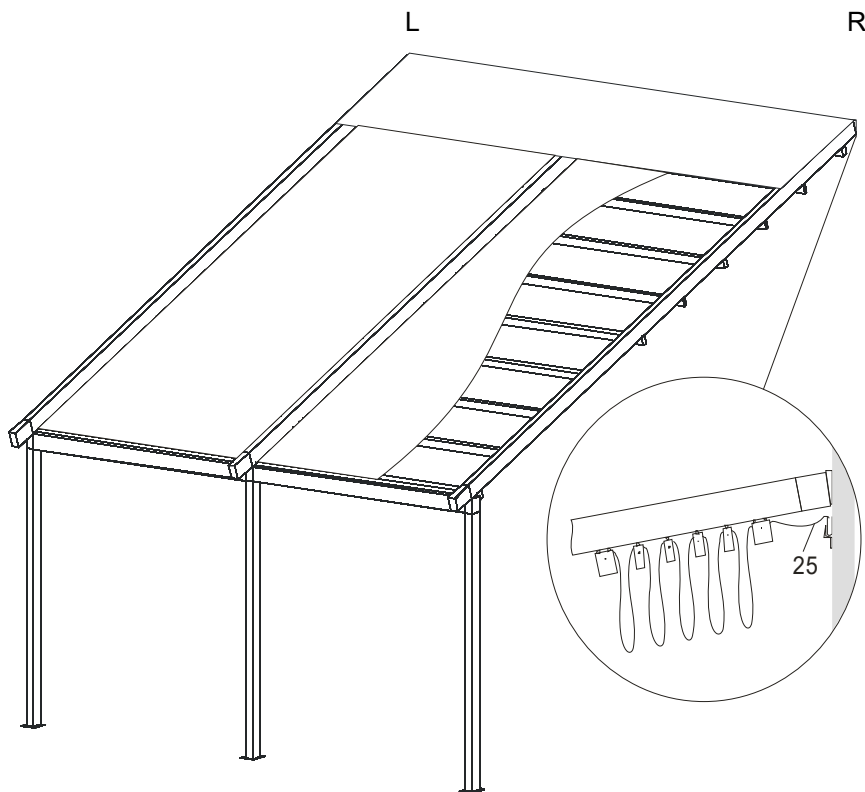
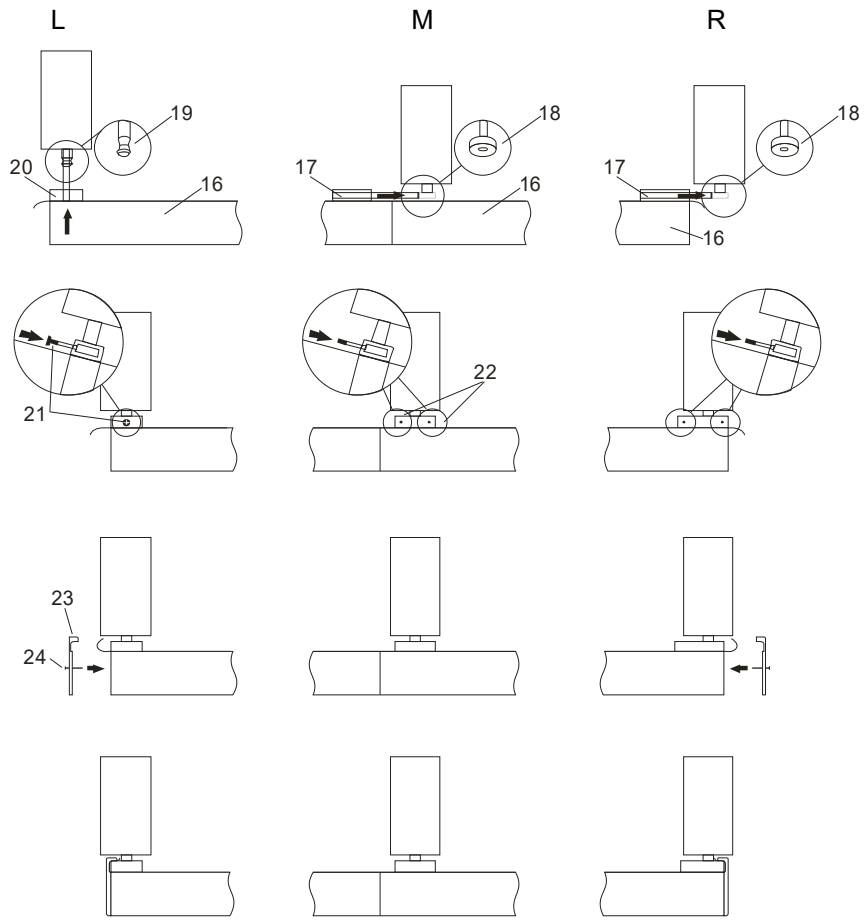
CAUTION!

For correct operation of the awning, it is necessary that the side profiles are perfectly parallel to each other, and the connection between the front profile and trolley are sliding on one side as described below. Otherwise, it may result in incorrect operation of the awning and damage.

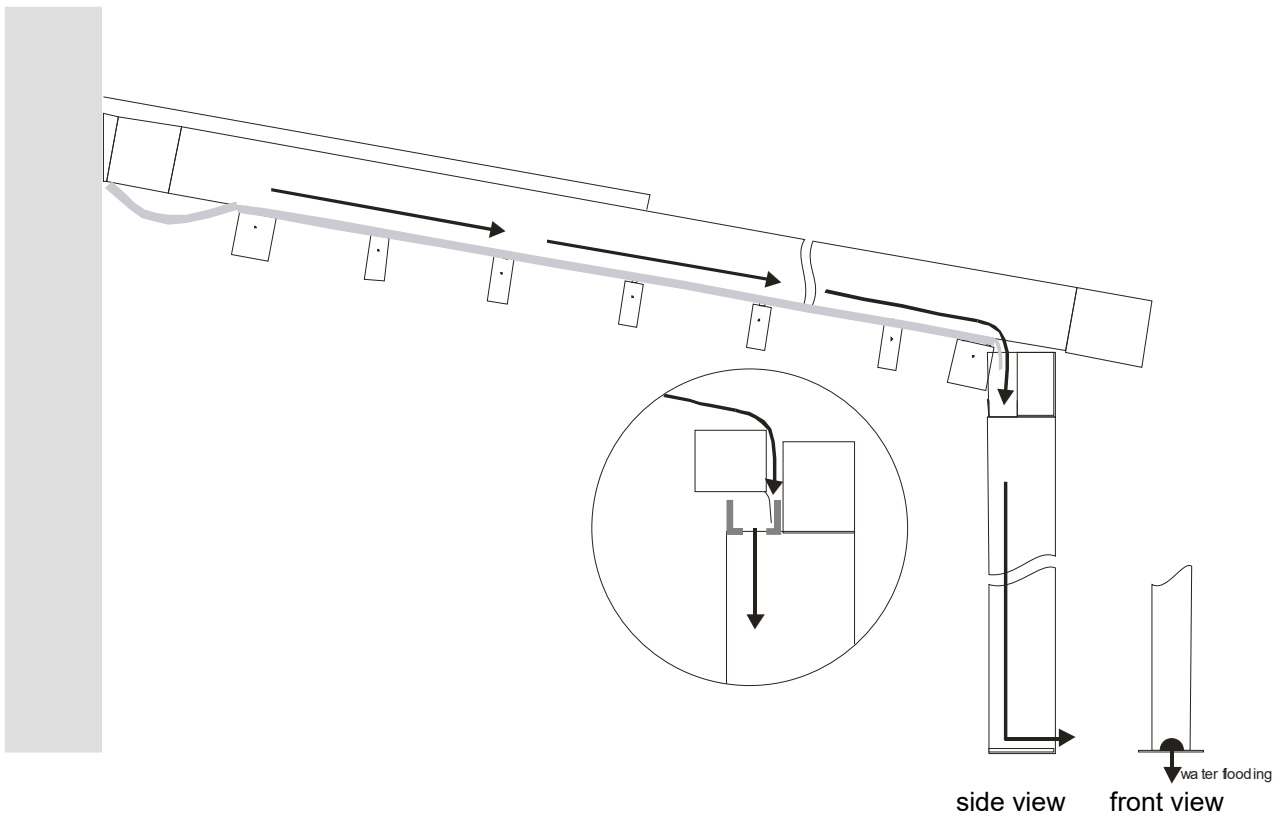
- Place the cross crossbars (16) of the fabric under construction with pergola.
- Pick up and put on a pedestal mounting the above-mentioned set, so that the distance between guide and the platform was approx. 60 - 70 cm.



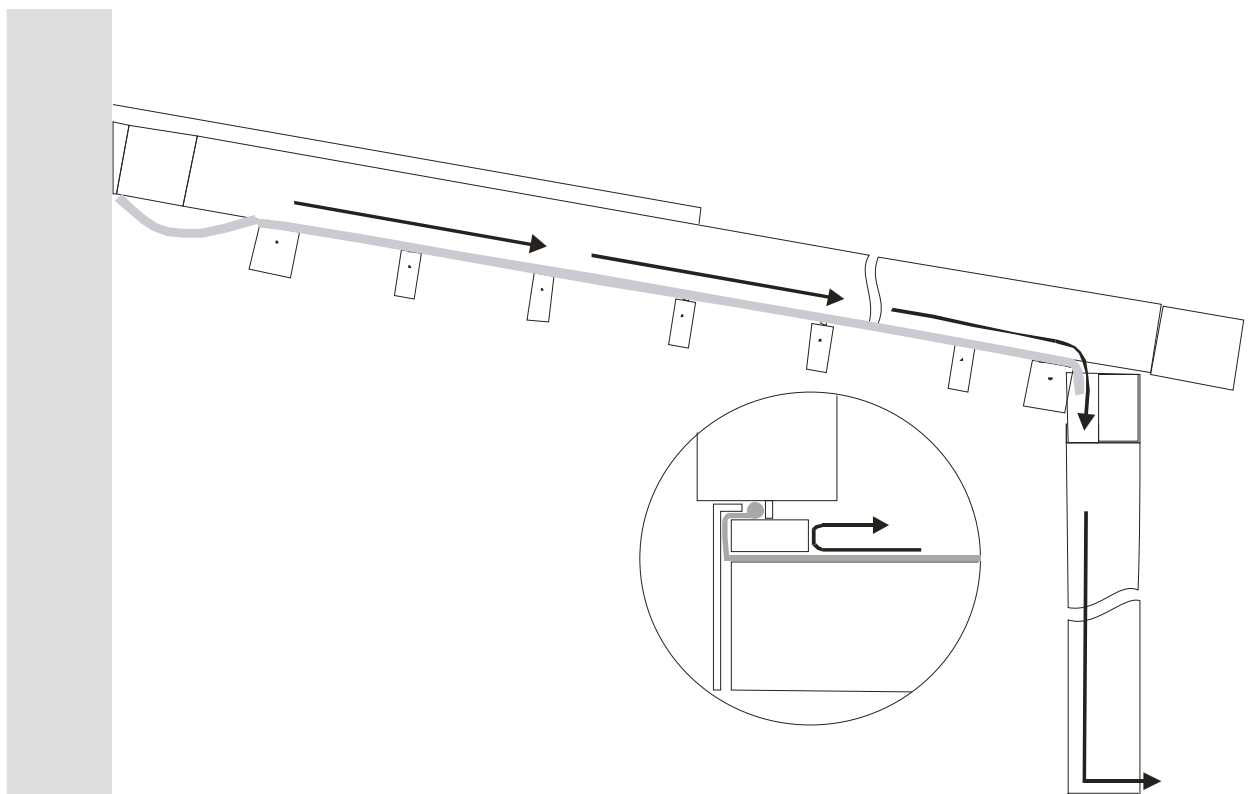
- Sequentially attach cross sections (16) to trolleys by inserting slider (17) to the wheels (18) extending from the trolleys and lock pin (19) in the ankle plate (20) by the screws (21). Lock the screws (22) in the sliders (17).
- Insert the side plates (23) to the crossbars and secure with screws (24).
- In the case of use water blockade on the sides before the above action should roll up fabric on sides.
- Instal masking wall (25) by puting the brackets to the wall and inserting the bar with fabric in it.



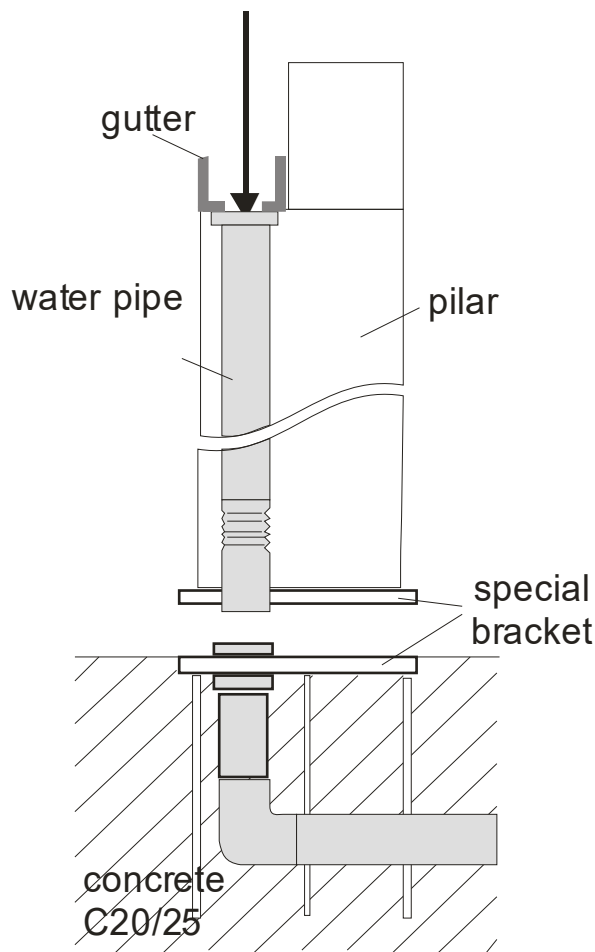
3.8.6. Water blockade and gutter system



Gutter system



Water blockade on sides



Special bracket for the gutter system

3.8.7. Perform electrical installation (only for motor drive)



CAUTION!

The electrical connection must be performed by a licensed professional. Connect the electrical wires according to the circuit diagram. The awning may only be connected if the specifications on the type plate agrees with your power source.

When laying the motor cable, make sure that no kinks or any sharp edges they can damage the cable. The long-term operation of the awning with electric motor drive via electrical socket is not permitted! The awnings switch should be mounted at a height of 125 cm over the ground in a location from which the user sees the awning across its whole range of motion. The used switch must be designed by the manufacturer to control awnings.

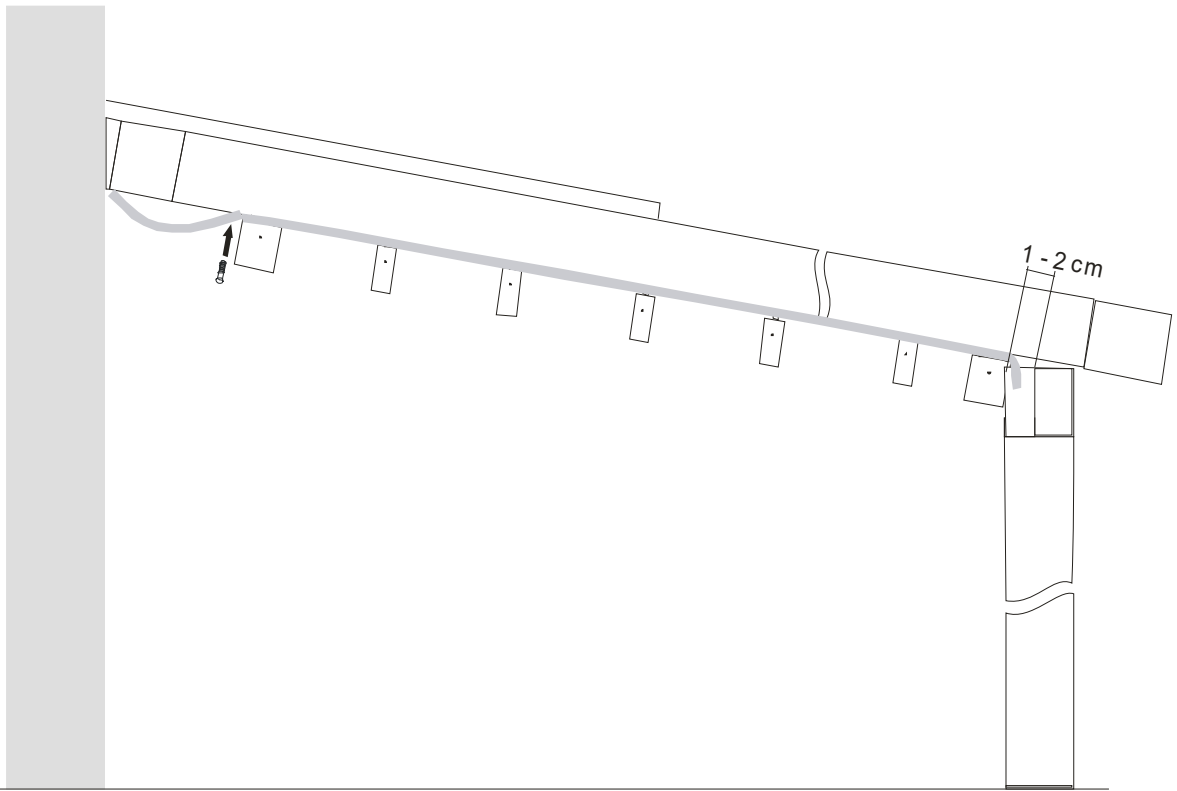
3.8.8. Set the end positions of the motor

After assembly of the awning, you should set the end position of the two directions, in accordance with the instructions for the motor drive. The factory end position are set by manufacturer.

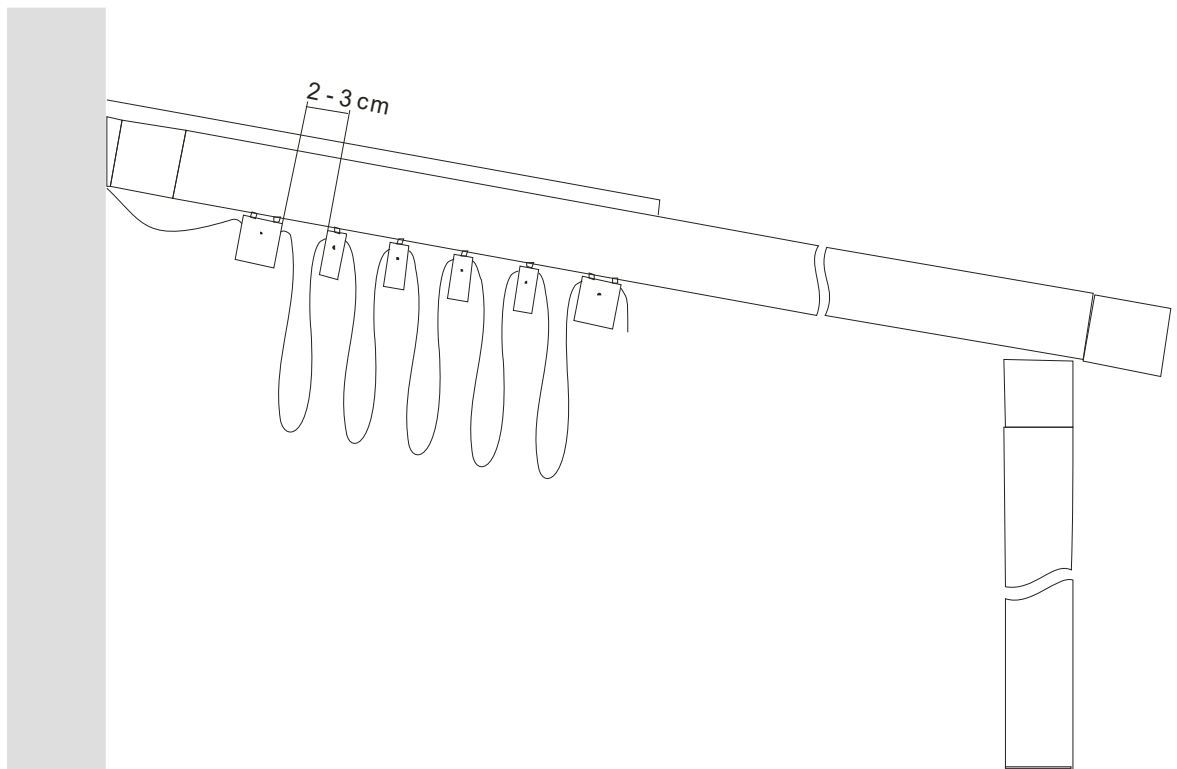


CAUTION!

If worn or damaged cables, awning do not use until repaired by an authorized technician.



Fabric open



Fabric closed

3.8.9. Couple of handle (only manual drive)

- Awnings handle into the loop of the gearbox. By turning the handle can open or close the awning.
- Awning fabrics must be roll up on the right side (from top) otherwise it can damage the sheathing and the awning.

3.8.10. Check the awning after installation

After installation, check items from the list below:

- Operation (manual or electric).
- Stability.
- Proper operation of limit switches.

3.8.11. Training and instruction of the enduser before awning in use

Installation team must fully inform the end user about safe use of the awnings.

3.8.12. Handing over all the necessary instructions and warranty the enduser and pass the awning for use

After assembly, the person in charge of the installation team must sign The handing over protocol/Warranty. According to knowledge of local conditions and after completion of the assembly, installation team declares the user whether the manufacturer's wind class was achieved. If not, the installation company must to document the actual achieved wind class rating.

The handing over protocol/Warranty must be countersigned by the user and installation team.

After assembly the following instructions must be passed to enduser:

- Installation manual,
- Service and maintenance manuals and warranty (with wind class of the awning),
- Settings (only for motor drive),
- Sun and wind automatic instruction (only for awning with automatic),
- Remote Control Guide (only remote controled awnings),
- Handing over protocol/Warranty.

3.9. Repair the awning

Repairs should be carried out only by a specialist. Only spare parts from DRAGON. can be used.

3.9.1. Replacement a drive

In order to make a repair to a defective drive, the awning must be using a belt secured. All the necessary work can be made only by a specialist. The drive must be the same series and by the same manufacturer are.

3.9.2. Replacement of the sheathing

For this action must be the awning removed. The change must be made by an authorized dealer or the awning must be sent to the manufacturer to replace the sheathing.

3.9.3. Replacement of the components

The change must be made by an authorized dealer or the awning will be sent to the manufacturer to replace the item.

3.10. Start-up

Any person can't stay in the area of the awning during the test run. All items located under the awning must be removed. The remote control can be used only if the user see the awning in the whole range of its movement. All equipment should be stored out of reach of the children.

3.11. The scope of the wind sensors

In strong gust of wind or the incorrect setting of automatics can cause damage and for this the manufacturer is not liable.